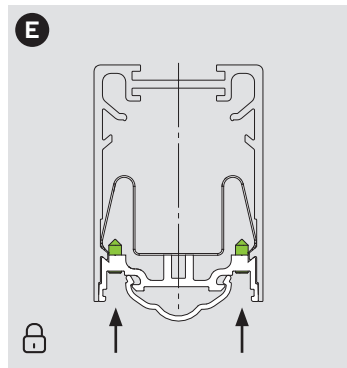
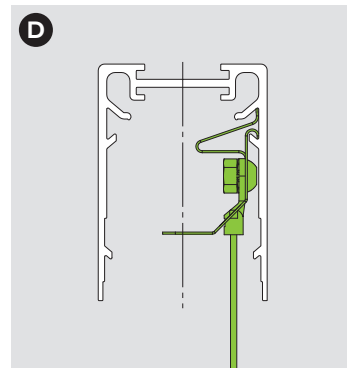
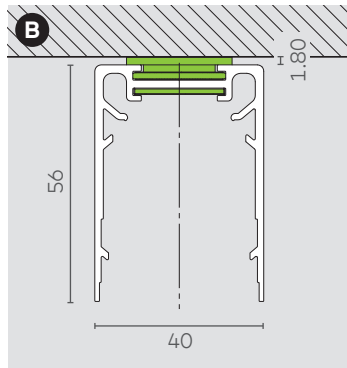
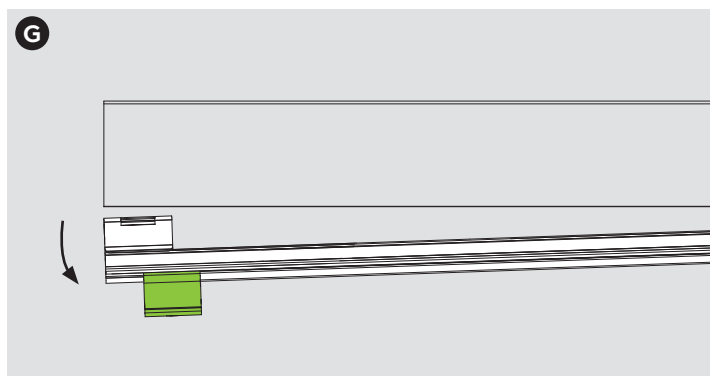
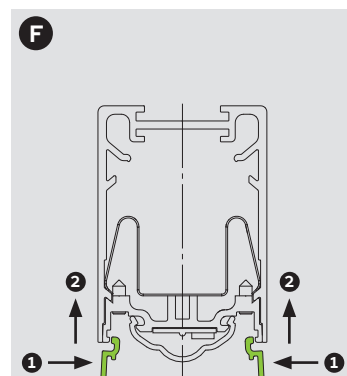
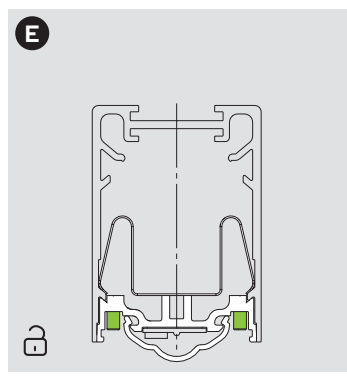
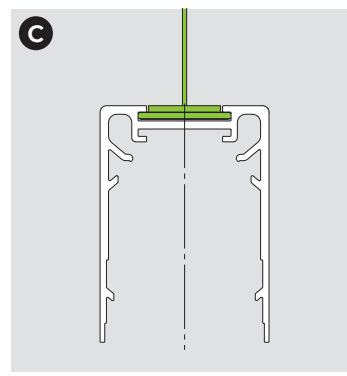
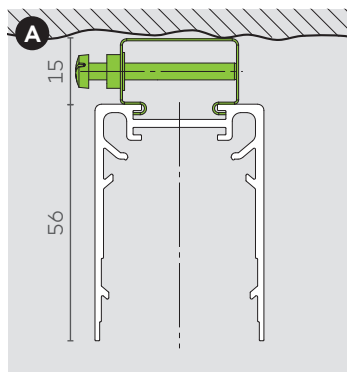
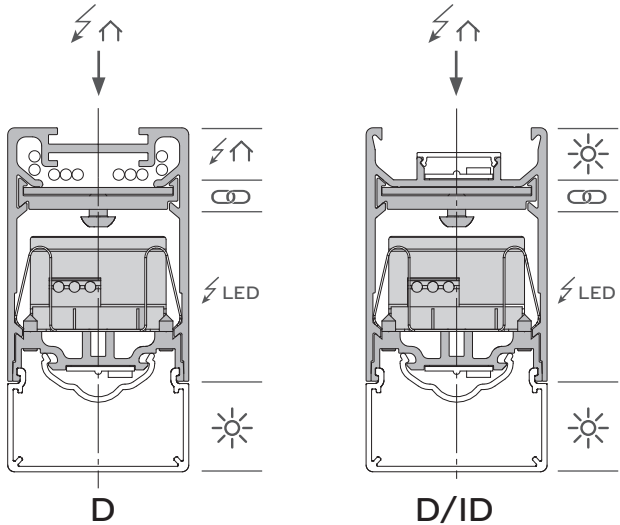


belux inline neo D+D/ID SLK5

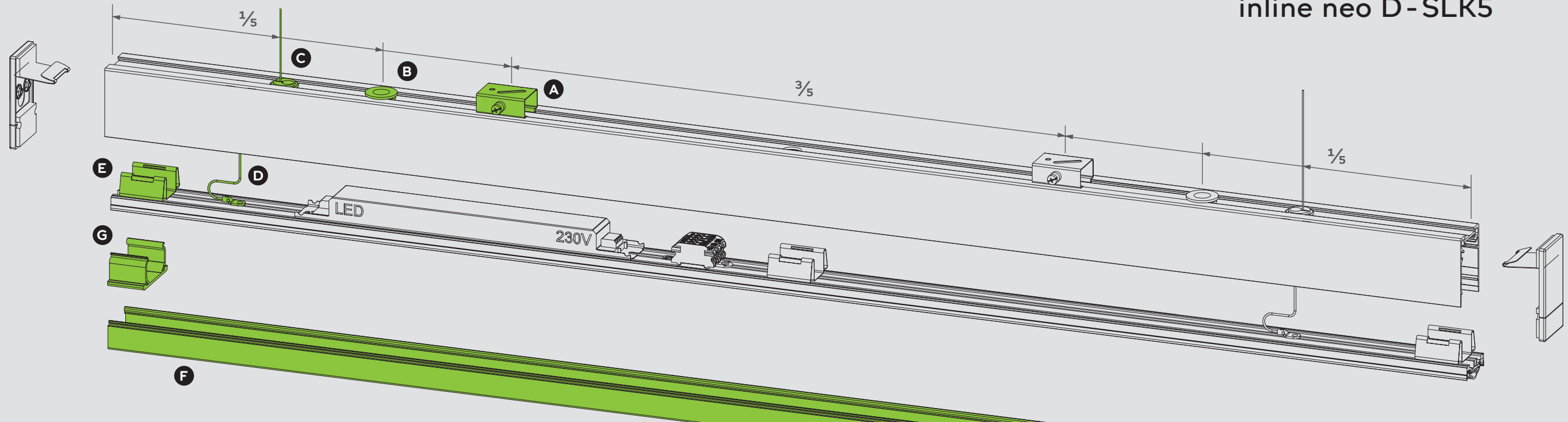


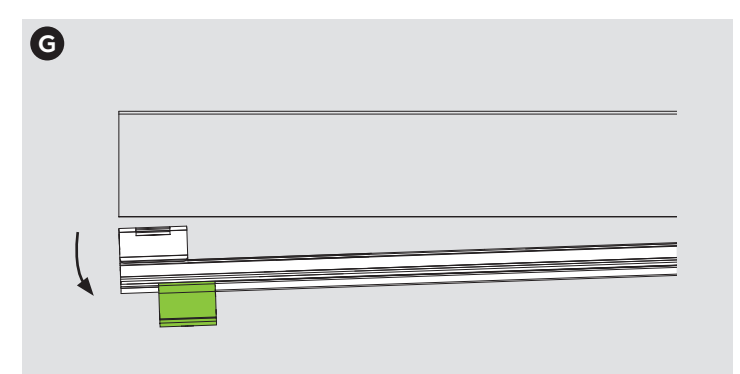
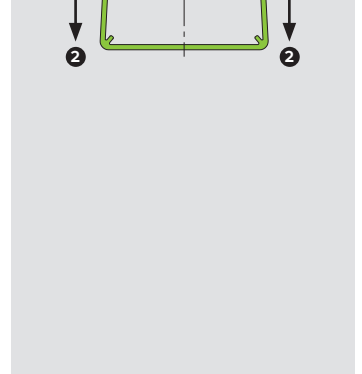
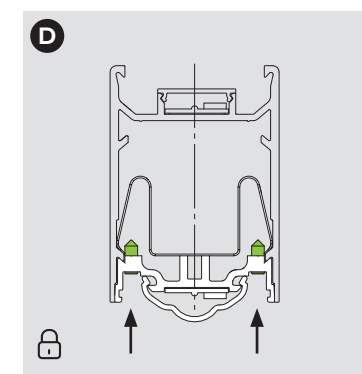
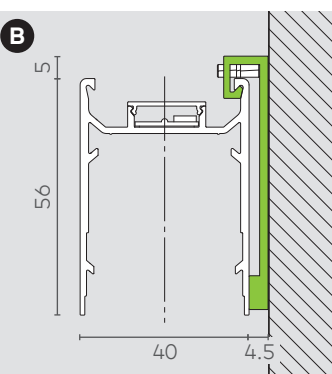
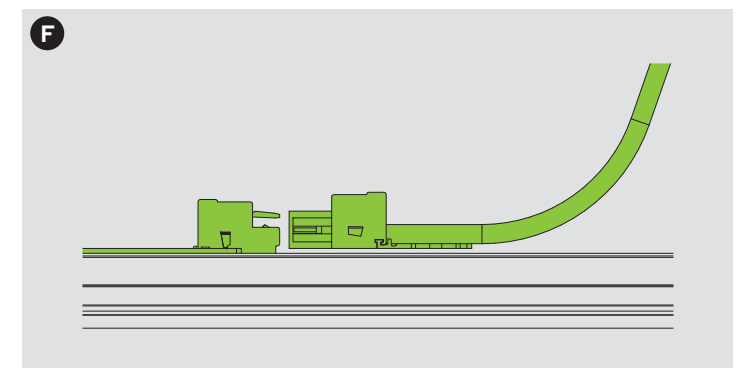
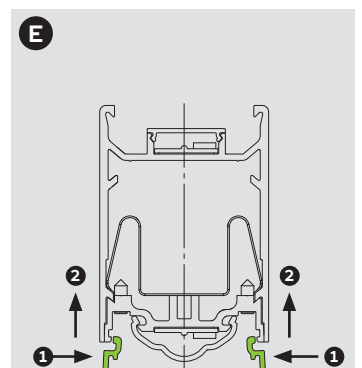
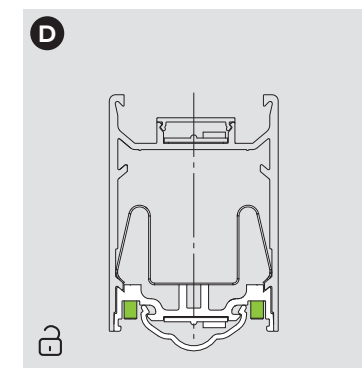
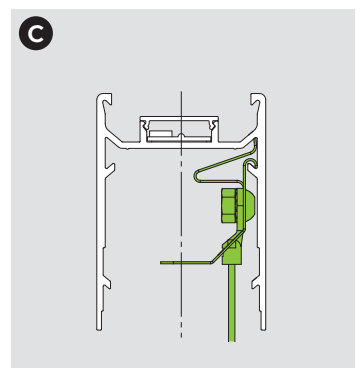
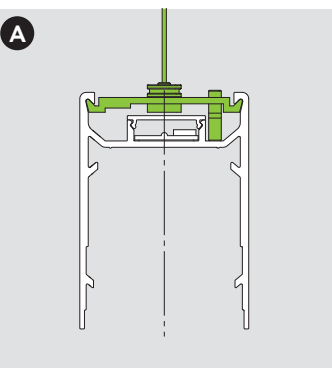
belux.com
 Belux AG
 Neufeldweg 6
 5103 Mörigen / Switzerland

T +41 61 316 74 01
 belux@belux.com

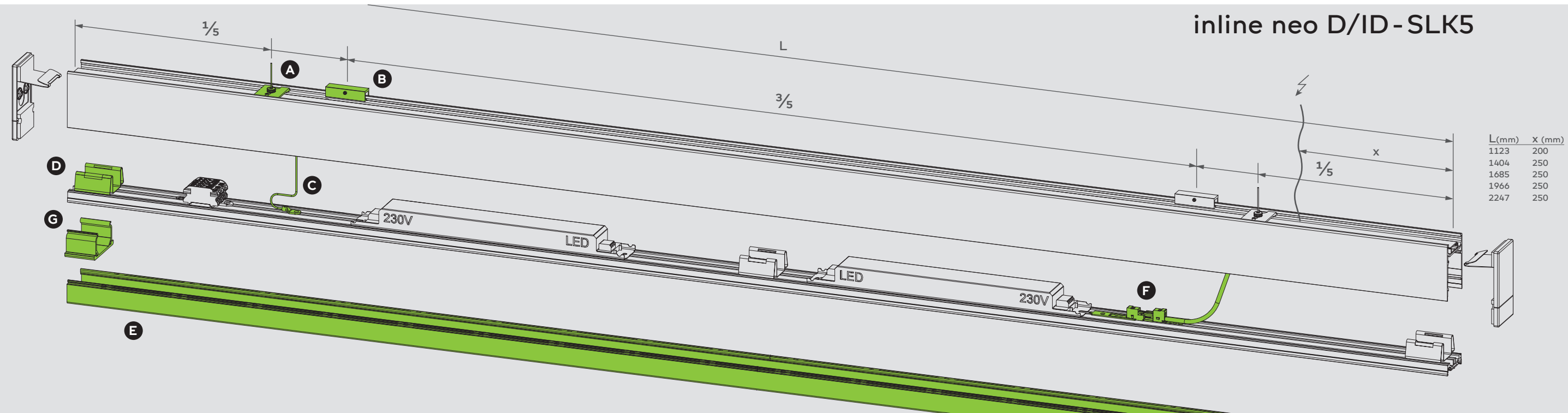
Änderungen vorbehalten. Subject to change without notice. © Belux AG 10/2018 Art.-Nr. BL59940306

inline neo D-SLK5

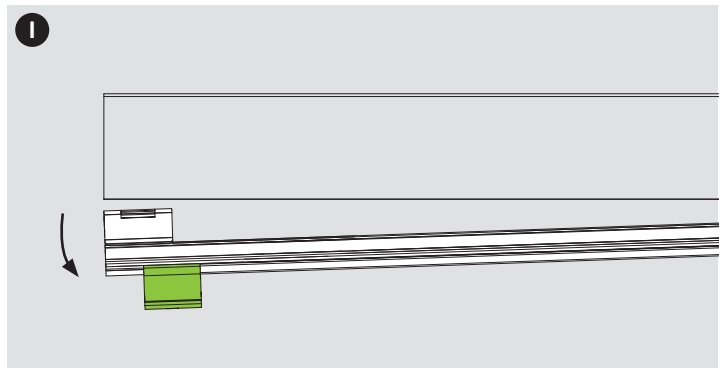
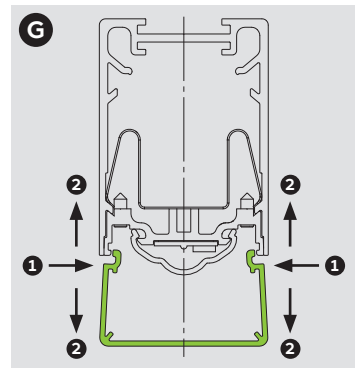
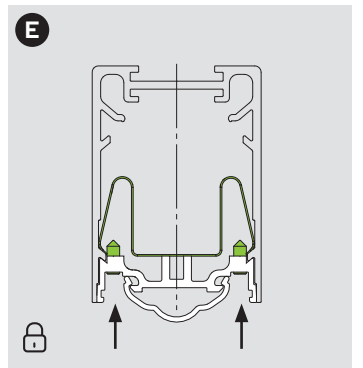
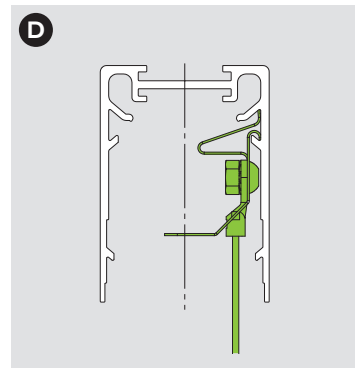
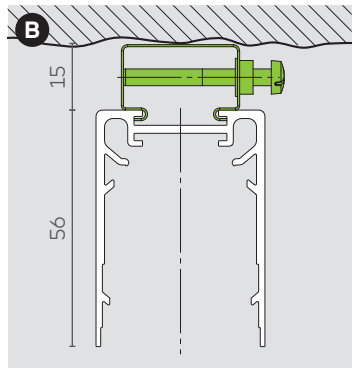
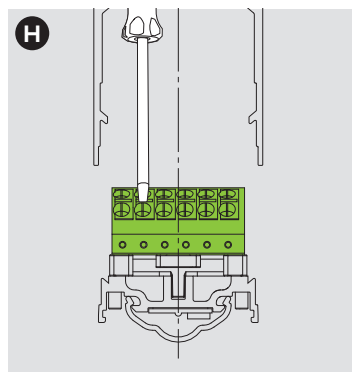
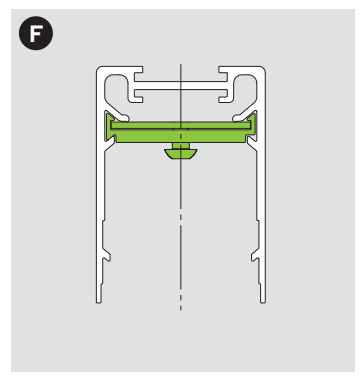
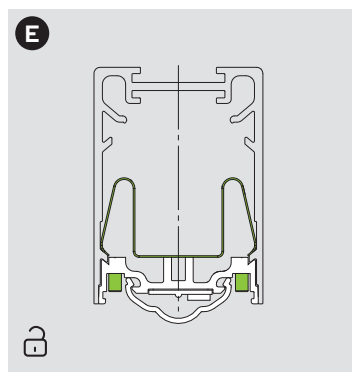
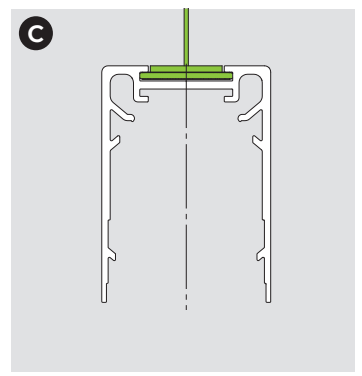
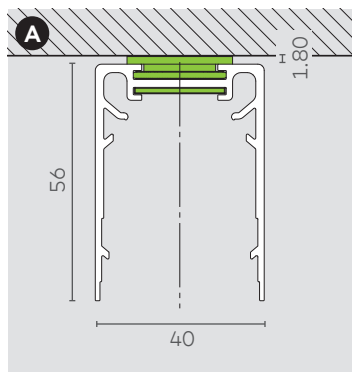
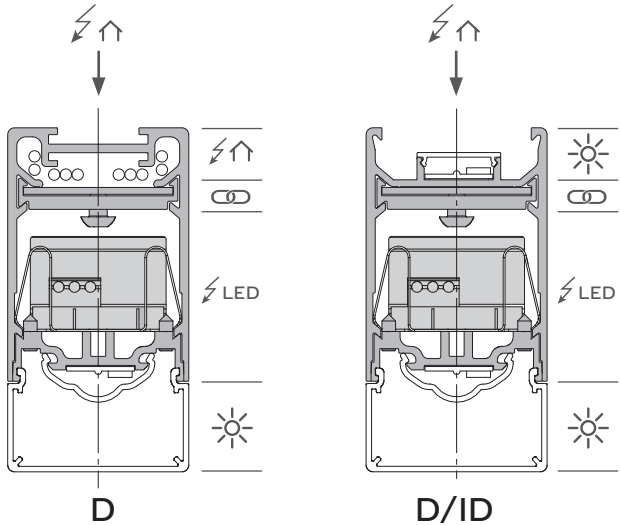




inline neo D/ID-SLK5

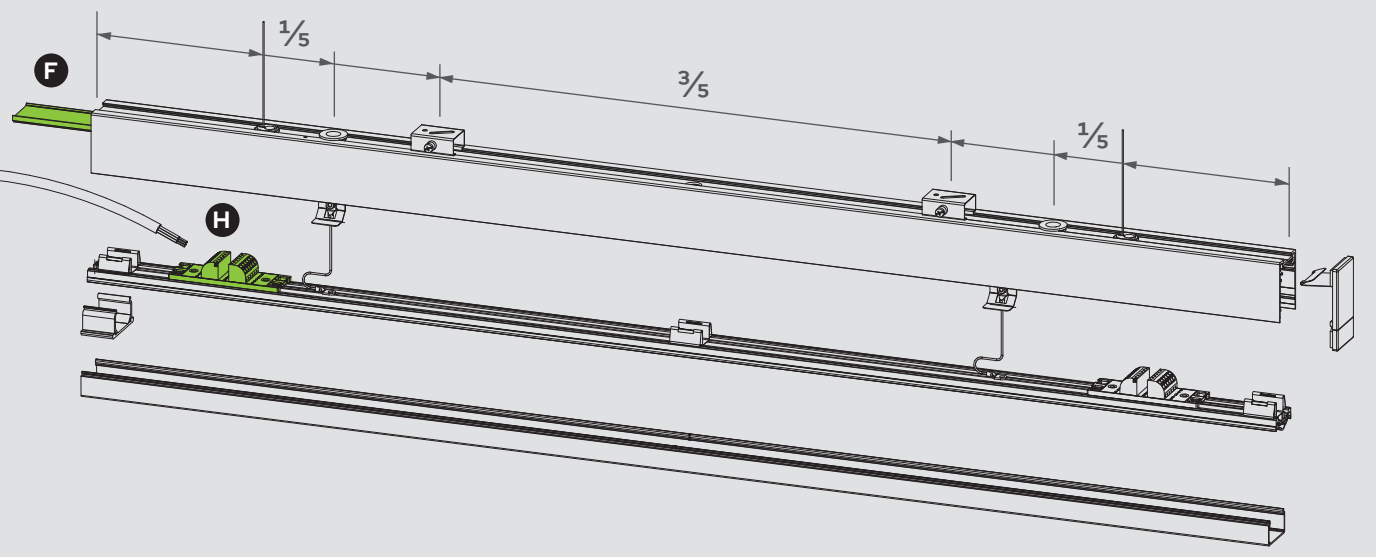
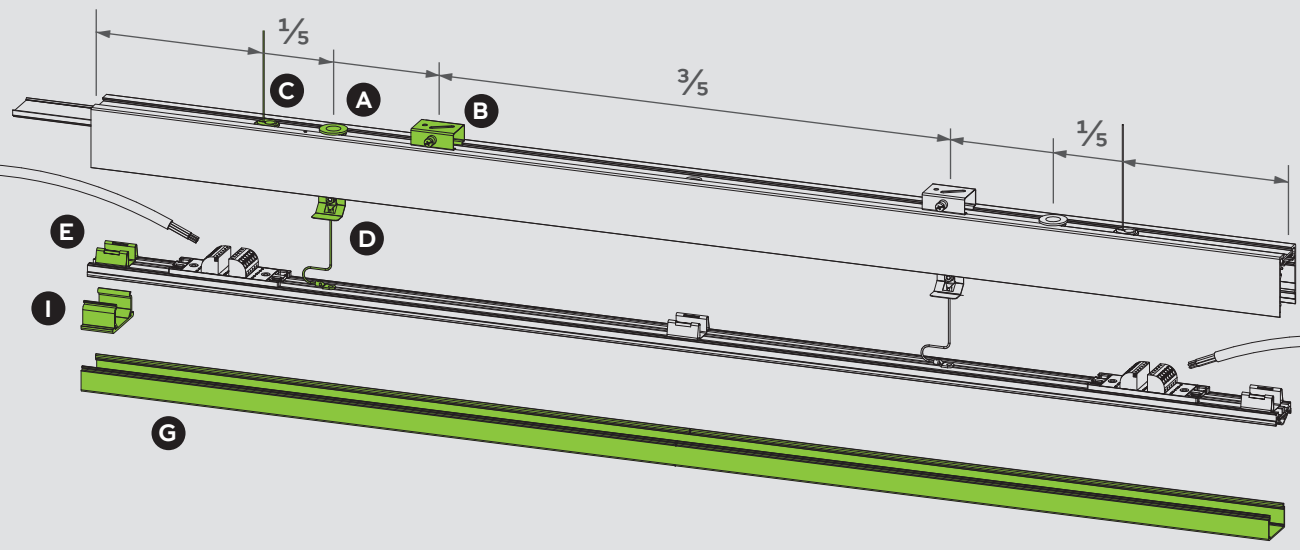


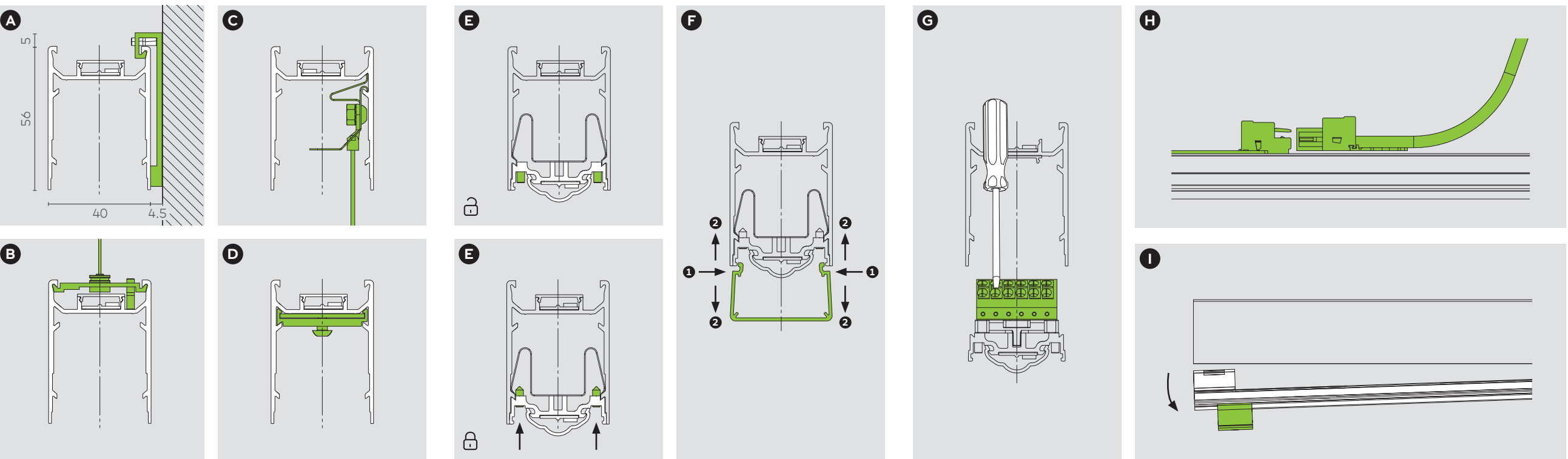
belux inline neo D+D/ID Phoenix



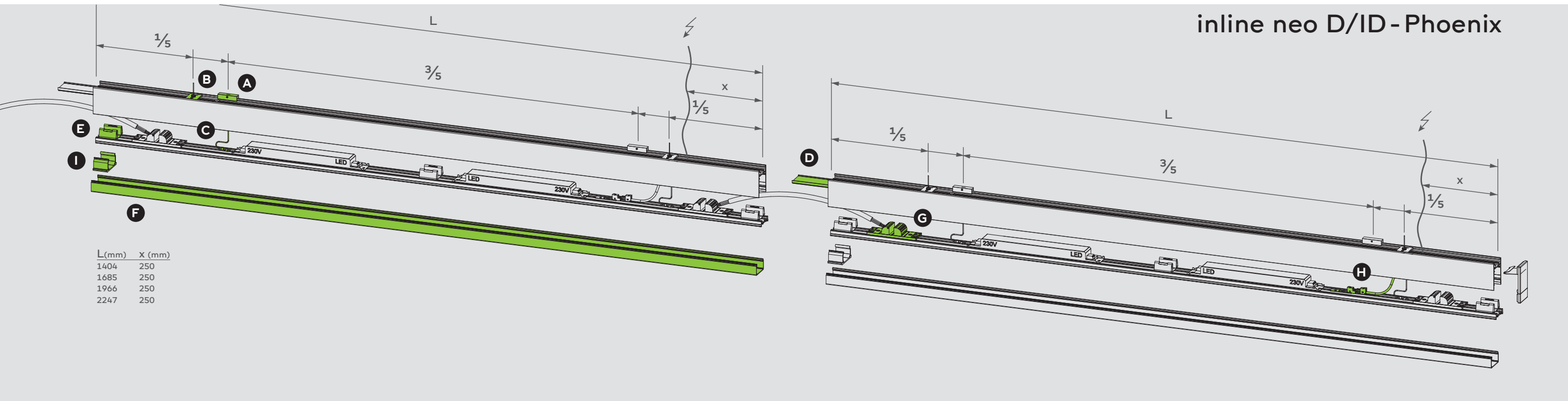
belux.com
 Belux AG
 Neufeldweg 6
 5103 Mörigen / Switzerland
 T +41 61 316 74 01
 belux@belux.com
 Änderungen vorbehalten. Subject to change without notice. © Belux AG 10/2018 Art.-Nr. BL599 40307

inline neo D-Phoenix





inline neo D/ID-Phoenix



L (mm)	x (mm)
1404	250
1685	250
1966	250
2247	250